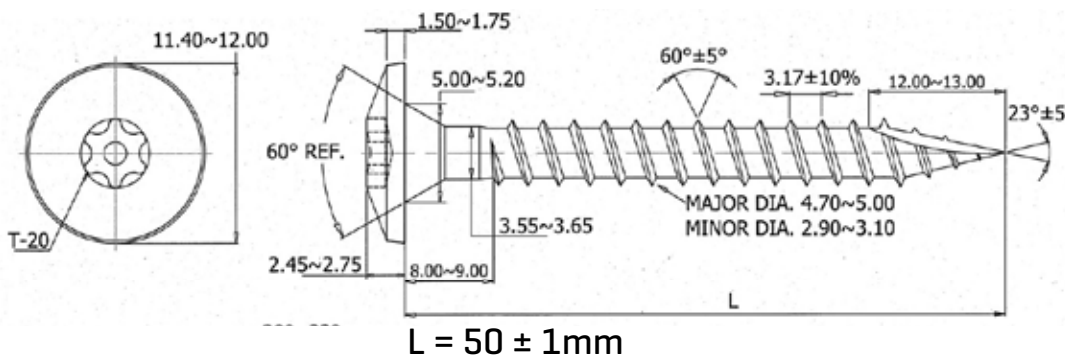


TECHNICAL INFORMATION LASTING EXPRESSIONS

STENI PROTEGO SCREW FOR WOOD



TECHNICAL DATA	
Dimension	4,8 x 50 mm
Head	Ø 12 mm pan-head w/ Ø 14 mm stainless steel + EPDM washer, Torx T-20
Material	Stainless steel A2 [SS304] Fibre cut tip
Corroton class	C4
Coating	Zinc plated w/ or wo/ powder coated head.
PRODUCT INFORMATION	
Salesunit	250 pcs/box
Weight	ca 1,1 Kg/box
Article no.	see productlist
Country of origin	Japan

INSTALLATION:

The screw should be placed in the centre of the predrilled hole in the panel
 To reduce the torque on the screw neck, fix the screw in one smooth operation [no start/stop motion]
 The screw is installed correctly when the underside of the head is flush with the panel surface.
 Further thigtening of the screw can result in damage to both panels and screws. Do not countersink the screws.
 We reccommend setting the screw driver torque at 2/3 of the max torque.